
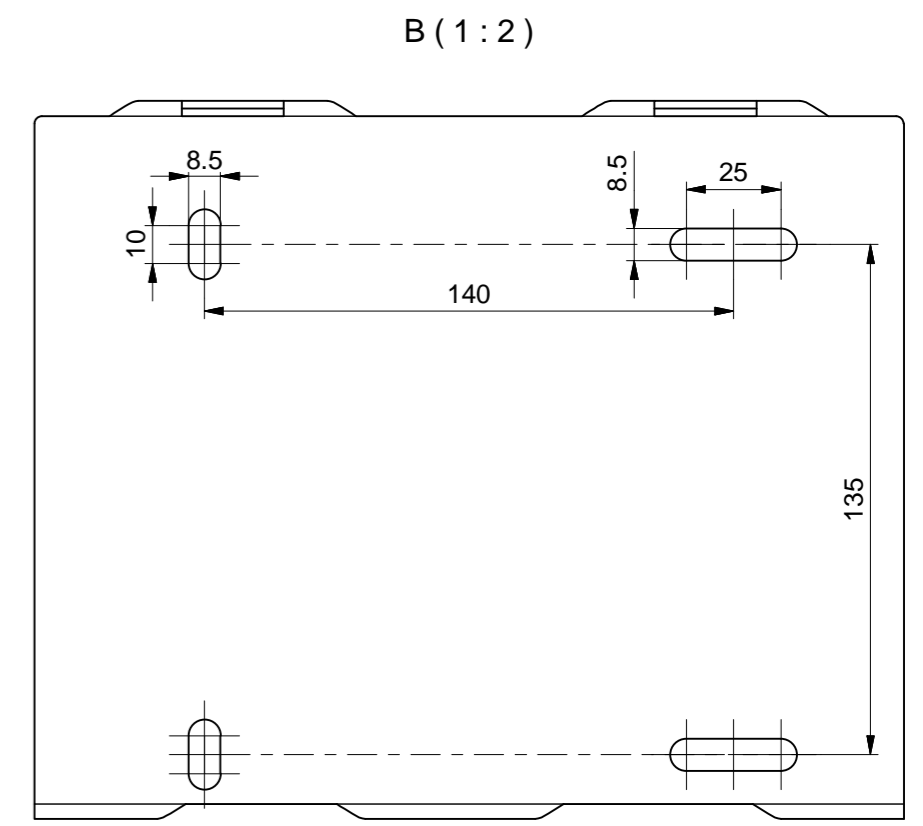
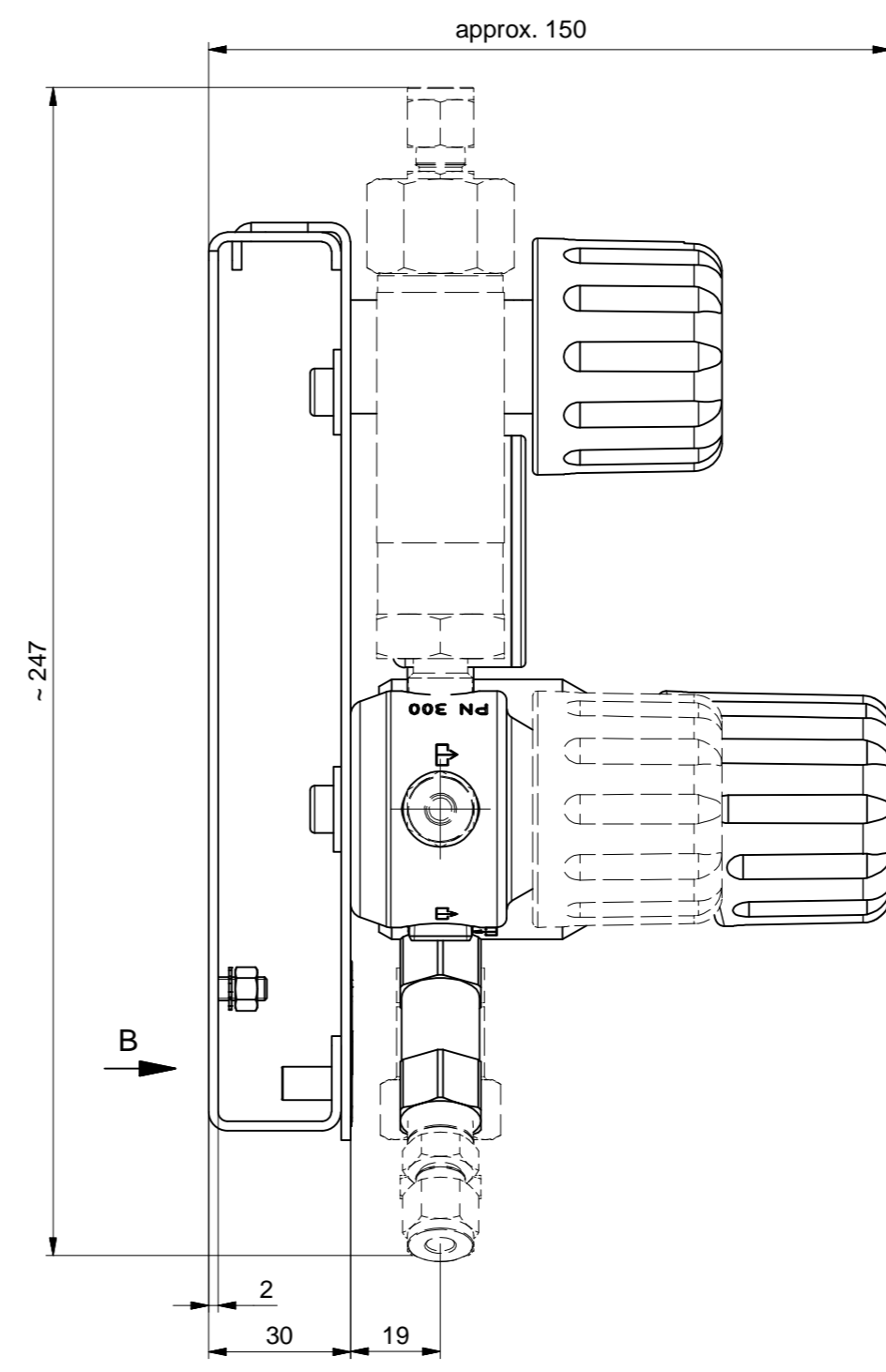
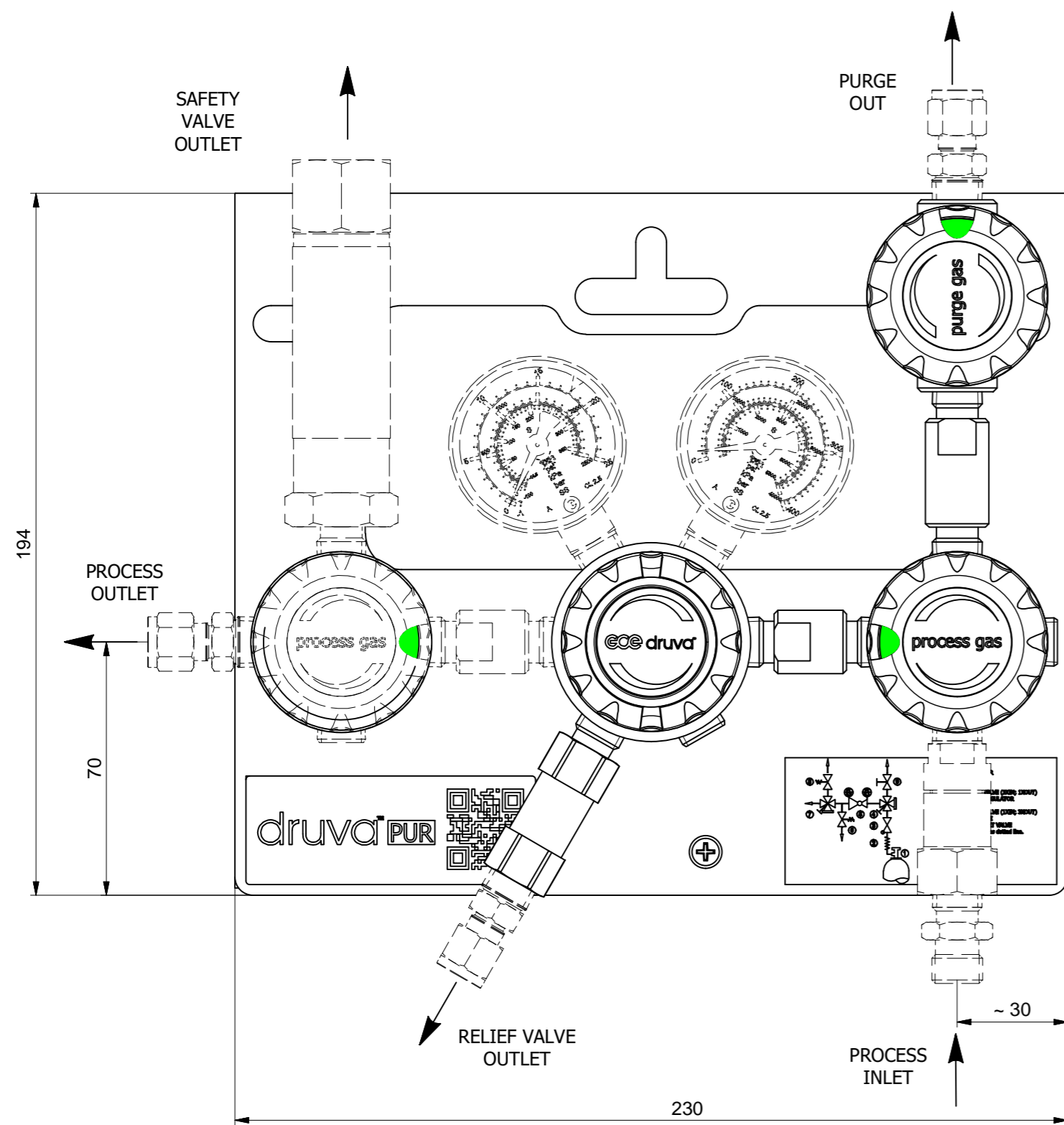


technische Änderungen vorbehalten

|             |       |  |         |  |                    |
|-------------|-------|--|---------|--|--------------------|
|             |       | Datum  | Name    | G30.205.120<br>Druckgasflaschenschrank | Blatt              |
|             |       | Bearb.   | D.Taube |  |                    |
|             |       | Gepr.  |         |  |                    |
|             |       |  |         | Ansichtszeichnung                      | Bl.                |
| G30.205.120 | 30663 |  |         |  |                    |
| Modell      | ID    |  |         |  | © 2014<br>D. Taube |



**ORDERING INFORMATION**

**MSLHEX S PX X XX XX XX XX XXXX XXXX XXXX**

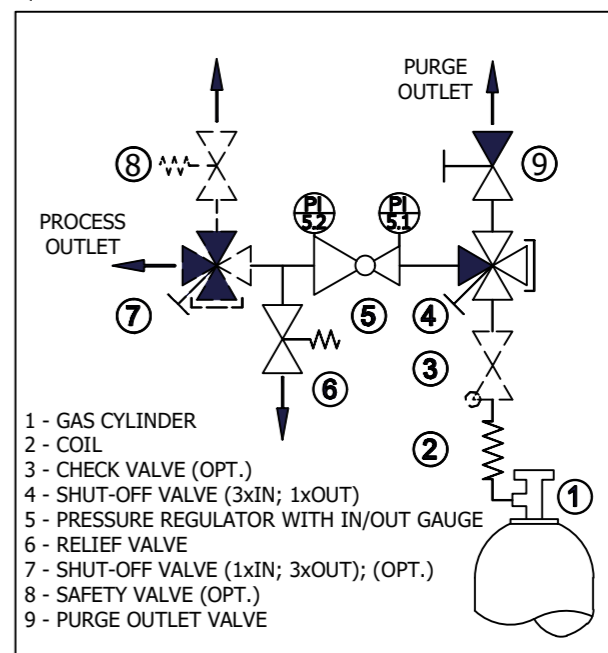
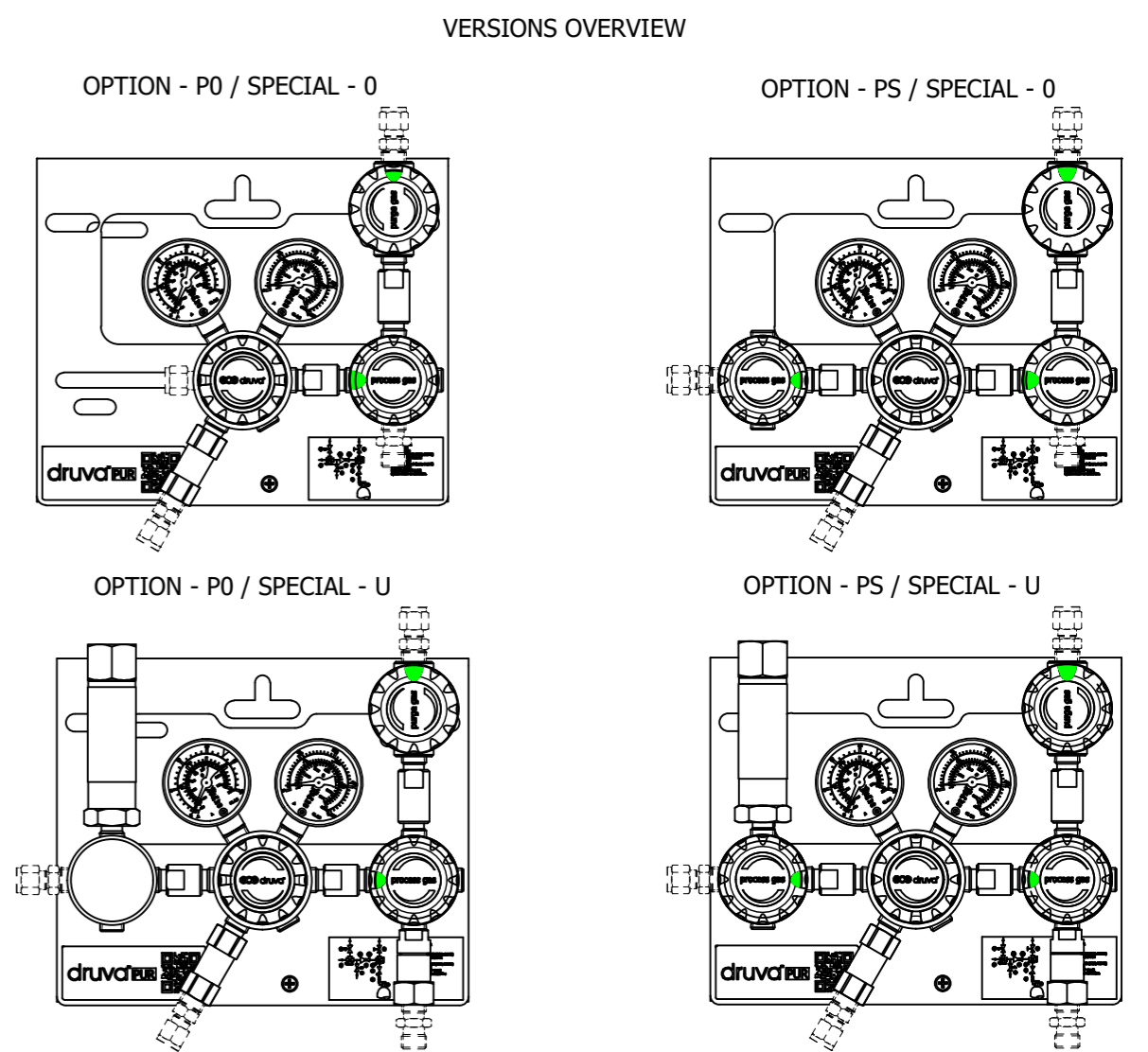
- STAGES:**  
S - SINGLE STAGE
- OPTIONS:**  
P0 - HP PURGE VALVE + LP WITHOUT  
PS - HP PURGE VALVE + LP SHUT-OFF VALVE
- SPECIALS:**  
0 - WITHOUT  
C - CHECK VALVE  
S - SAFETY VALVE  
U - CHECK VALVE + SAFETY VALVE
- INLET PRESSURE:**  
F4 - 60 BAR  
FX - 200 BAR  
GX - 300 BAR

- PURGE & RELIEF CONNECTION:**  
N14F - NPT1/4 INCH FEMALE  
MORE VERSIONS ON LIST OF CONN.
- PROCESS OUTLET CONNECTION:**  
N14F - NPT1/4 INCH FEMALE  
M03S - COMPRESSION FITTING 3MM SS  
M06S - COMPRESSION FITTING 6MM SS  
MORE VERSIONS ON LIST OF CONNECTIONS
- PROCESS INLET CONNECTION:**  
N14F - NPT1/4 INCH FEMALE  
M14M - METRIC 14X1,5 MALE
- OUTLET GAUGE TYPE:**  
BT - BOURDON TUBE  
I2 - INDUCTIV CONTACT I2  
R2 - REED CONTACT R2  
I1 - INDUCTIV CONTACT I1  
R5 - REED CONTACT R5

- LIST OF CONNECTIONS**
- N14F - NPT1/4 INCH FEMALE
  - M03S - COMPRESSION FITTING 3MM SS
  - M06S - COMPRESSION FITTING 6MM SS
  - M08S - COMPRESSION FITTING 8MM SS
  - M10S - COMPRESSION FITTING 10MM SS
  - M12S - COMPRESSION FITTING 12MM SS
  - IX2S - COMPRESSION FITTING 1/8" SS
  - IX4S - COMPRESSION FITTING 1/4" SS
  - IX6S - COMPRESSION FITTING 3/8" SS
  - IX8S - COMPRESSION FITTING 1/2" SS

- OUTLET PRESSURE:**  
BX - 3 BAR  
CX - 6 BAR  
D2 - 10 BAR  
DX - 14 BAR  
EY - 28 BAR  
EX - 50 BAR  
F2 - 100 BAR  
FX - 200 BAR (IN AND OUT = 200 BAR, NO PRV)

- INLET GAUGE TYPE:**  
BT - BOURDON TUBE  
I1 - INDUCTIV CONTACT I1  
R5 - REED CONTACT R5



**TECHNICAL SPECIFICATION**

**MATERIAL OF GAS WETTED PARTS:**  
REGULATOR BODY: STAINLESS STEEL (1.4404)  
REGULATOR DIAPHRAGM: HASTELLOY (2.4819)  
REGULATOR SEAL: PCTFE  
REGULATOR SEAT: PCTFE

**REGULATOR POPPET: STAINLESS STEEL (1.4404)**  
RELIEF VALVE SEAT: EPDM  
SAFETY VALVE SEAT: EPDM  
SAFETY VALVE OUTLET CONNECTION: NPT1/2" F

**INLET PRESSURE: MAX.300 BAR**  
**FLOW NOMINAL: 20 Nm<sup>3</sup>/h (N<sub>2</sub>)**  
**ACC. TO ISO 7291 AT 20 BAR OUTC**

**GAS TYPE**  
DEFINED BY PRODUCT LINE AND TYPE  
(CHECK APPROVED GAS TYPE IN DATASHEET)

**SST LINE:**  
INCLUDED CORROSIVE GASES  
INCLUDED TOXIC GASES

**EXAMPLE: MSLHEXSPS0GXCBTBTN14FM06SM06S**



|  |   |   |   |
|--|---|---|---|
| Polotovar<br>Raw material<br>Materiál<br>Material  | Rozměr polotovaru<br>Dim. of raw material<br>Materiál<br>Material | Povrchová úprava<br>Surface finish<br>Starý výkres<br>Old drawing   | Hmotnost<br>Weight<br>5.01 kg                           |
| Komentář<br>Notice<br>Datum vypracování<br>Creation date<br>17.10.2019<br>Výrobce<br>Created<br>L.Ondraček<br>Kontrola<br>Inspected<br>P.Novotný<br>Schválil<br>Approved<br>Dr.Th. Kuester<br>Klasifikace<br>Item Class<br>B: Standard | Opracování / Machining<br>Ra<br>Měřítko / Scale<br>2:3            | Kritický rozměr značen<br>Critical dimension marked<br>KR<br>Neto rozměry / Dim. without tol.<br>ISO 2768 m,K<br>-0,1<br>-0,3<br>+0,3<br>+0,1 | List / Počet listů<br>Sheet / Number of sheets<br>1 / 2 |

**MANIFOLD SST-LINE LOW FLOW HE**  
**MAN SST 20QM HE SINGL SGL PROPURGE**

**MSLHEXSP**

